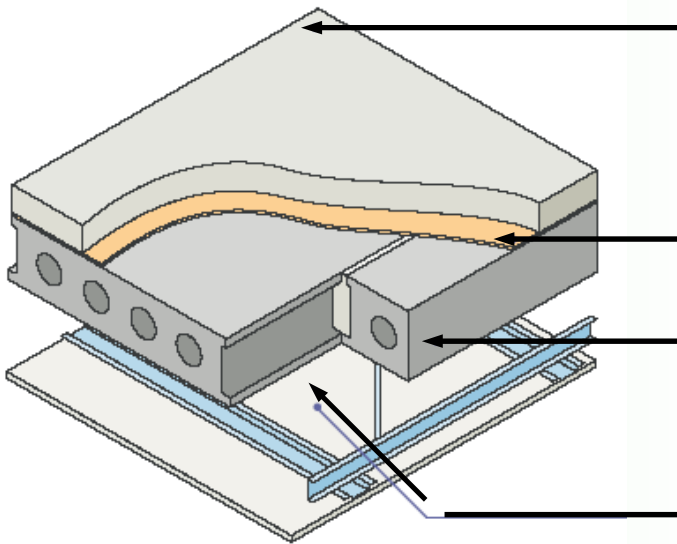


FIRST CHOICE IN FLOWING SCREED



Precast Concrete Plank Screed laid on IsoRubber resilient layer

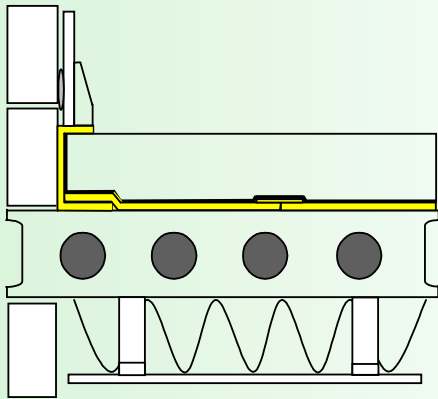


Screed
40mm (min) Gyvlon screed of nominal 80kg/m² mass per unit area.

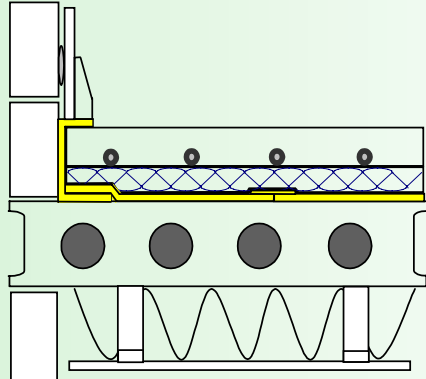
Resilient Layer
6mm IsoRubber layer with IsoEdge flanking strip.

Structural Floor
150mm (min) precast concrete floor plank.
300kg/m² (min) mass per unit area.

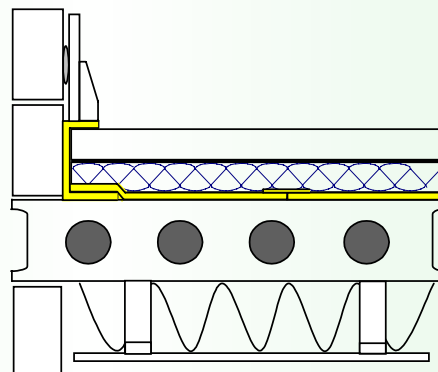
Ceiling
Typical ceiling detail shown for illustration purposes



ROBUST DETAIL E-FC-4



ROBUST DETAIL E-FC-4 with Underfloor Heating



ROBUST DETAIL E-FC-4 bulked with insulation above the IsoRubber resilient layer

LAFARGE GYVLON FLOWING SCREED
ROBUST DETAIL E-FC-4

Lafarge Gyvlon Ltd

Europa Boulevard, Westbrook Warrington WA5 7TN

Phone: 01925 428780 Fax: 01925 428788

Email: sales@gyvlon.co.uk

