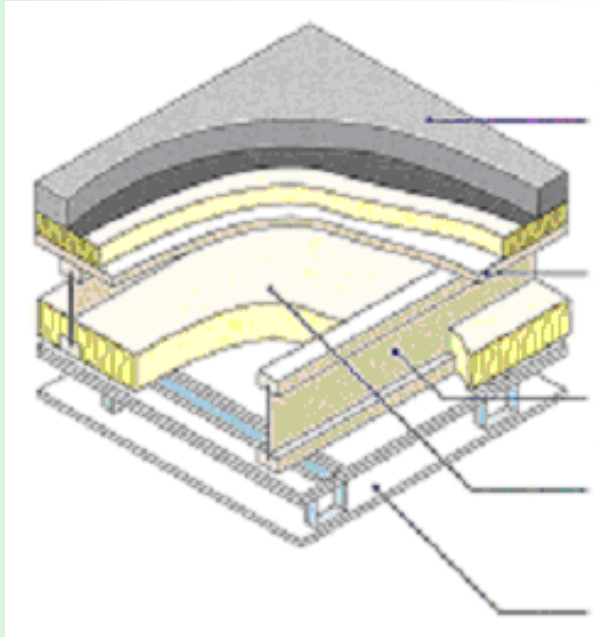


FIRST CHOICE IN FLOWING SCREED



Finnforest SoundBar systems Use with timber frame walls only

Floating Floor

40mm Gyvlon SoundBar screed on minimum 500 gauge Polythene on 34mm Finnforest SoundBar board.

Floor Decking

15mm thick (min) wood based board, density 600 kg/m³ (min).

Joists

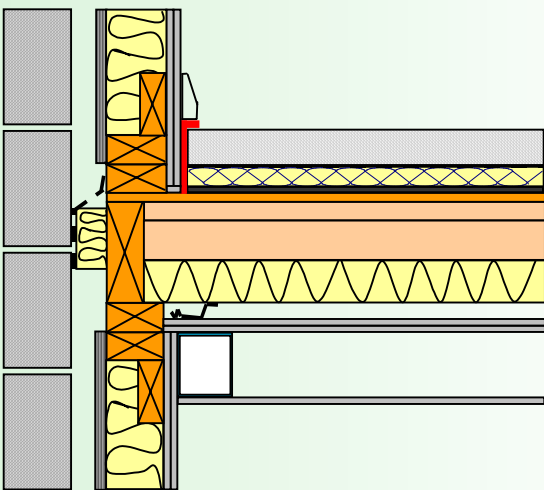
220mm (min) Finnjoists..

Absorbent Material

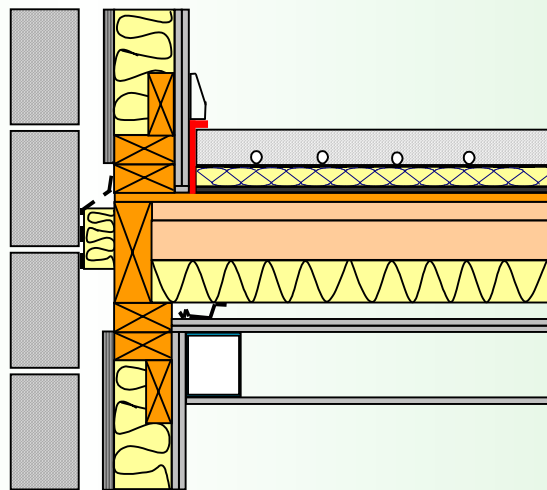
100mm (min) mineral wool quilt insulation (10-36 kg/m³)

Ceiling

See Section 5 for ceiling treatment



ROBUST DETAIL E-FT-4



ROBUST DETAIL E-FT-4 with Underfloor Heating

LAFARGE GYVLON FLOWING SCREED
ROBUST DETAIL E-FT-4

The information above must NOT be reproduced without the prior written consent of Lafarge Gyvlon

Lafarge Gyvlon Ltd

Europa Boulevard, Westbrook Warrington WA5 7TN

Phone: 01925 428780 Fax: 01925 428788

Email: sales@gyvlon.co.uk

